



AM36

MAGNETIC ABSOLUTE ROTARY ENCODER



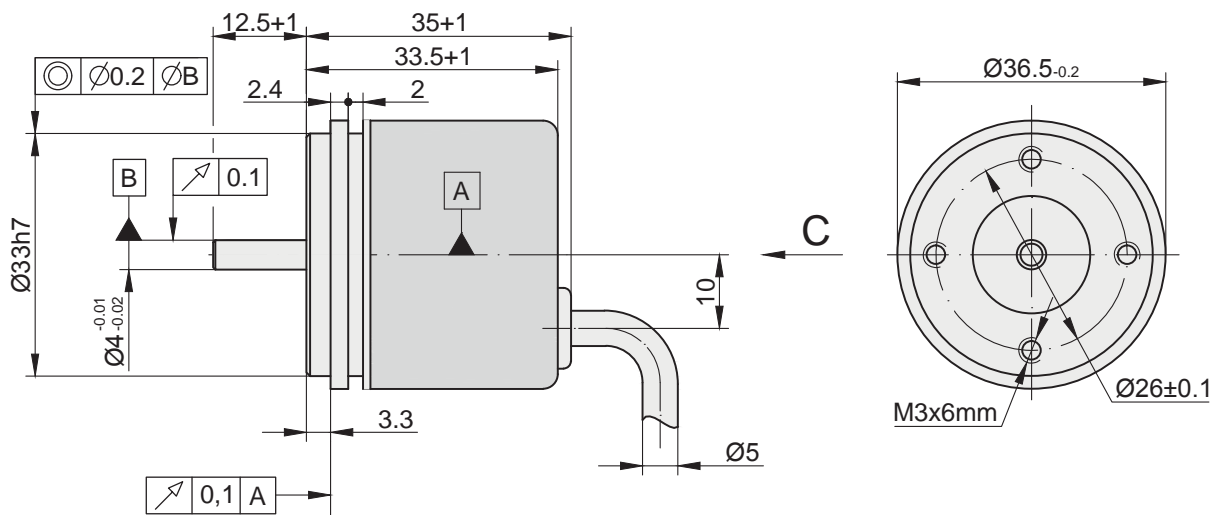
Absolute magnetic rotary encoder AM36 is used for information about rotary movements electronic units when working in the fields of metal working, industry automation, robotics industry, equipment control, measuring equipment and others.

Encoder has magnetic operation device and case. Incorporated to case special integrated circuit receives magnetic device rotation and transfers it to output signals.

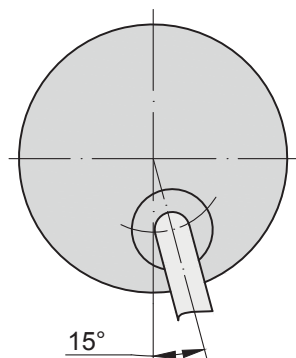


MECHANICAL DATA

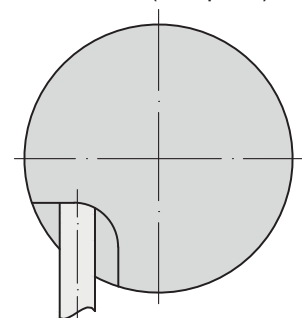
Maximum shaft speed	10000 rpm	Maximum weight without cable	0.07 kg
Maximum shaft load:		Operating temperature	-10...+70 °C
- axial	5 N	Storage temperature	-30...+80 °C
- radial (at shaft end)	10 N	Maximum humidity (without condensation of moisture)	98 %
Starting torque at 20°C	< 0.002 Nm	Permissible vibration (55 to 2000 Hz)	< 100 m/s ²
Rotor moment of inertia	< 2 gcm ²	Permissible shock (11 ms)	< 300 m/s ²
Protection (IEC 529)	up to IP64		



C
For IP54 (standard)



C
For IP64 (on option)

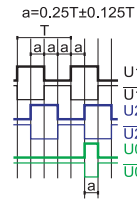


ELECTRICAL DATA

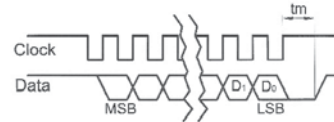
Supply voltage: - standard - optional	+5V±5% +(10...30)V±5%
Light source	LED
Accuracy	±0.3 arc. degree
Resolution	2 ¹² (4096)
Code	binary
Maximum operating frequency, kHz	300
Standard cable length	1 m
Maximum cable length	25 m

Output signals:

Incremental	TTL, HTL (Up to 1024ppr)
-------------	--------------------------

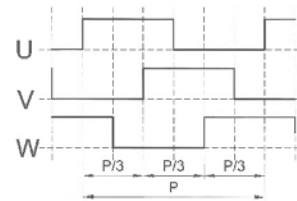


Through synchronous serial interface	SSI (Up to 12bit)
--------------------------------------	-------------------



Clock frequency - 20kHz ÷ 4 MHz; TTD - 25 ns ÷ 15 ns

Commutation	UWV (pole number 2, 4, 6, 8, 10, 12, 14, 16)
-------------	--



ACCESSORIES

CONNECTORS FOR CABLE	B12 12-pin round connector	C9 12-pin round connector	C12 12-pin round connector	D9 9-pin flat connector	D15 15-pin flat connector	RS10 10-pin round connector	ONC 10-pin round connector
DIGITAL READOUT DEVICES	CS3000			CS5500			
COUPLING	SC30						

ORDER FORM

AM36 - X - XX - XX - XXX - XXX/X - X - X							
OUTPUT SIGNALS:	POLE NUMBER FOR SIGNAL UVW:	PULSE NR. FOR TTL/HTL:	BIT NUMBER FOR SSI:	VOLTAGE SUPPLY:	CABLE LENGTH AND OUTPUT:	CONNECTOR TYPE:	COUPLING:
H1 - TTL H2 - UWV H3 - TTL-UWV H4 - TTL-SSI H5 - TTL-UWV-SSI H6 - HTL H7 - HTL-UWV H8 - HTL-UWV-SSI	P0 - for H1,H4,H6 P2 - 2 poles P4 - 4 poles P6 - 6 poles P8 - 8 poles P10 - 10 poles P12 - 12 poles P14 - 14 poles P16 - 16 poles	for H2 - B0 - for H2 16 ppr - B6 - 6 bit 32 ppr - B7 - 7 bit 64 ppr - B8 - 8 bit 128 ppr - B9 - 9 bit 256 ppr - B10 - 10 bit 512 ppr - B11 - 11 bit 1024 ppr - B12 - 12 bit		05V - +5V 30V - +(10...30)V	A01 - 1m (axial) A02 - 2m ... R01 - 1m (radial) R02 - 2m	W - without connector B12 - round, 12 pins C9 - round, 9 pins C12 - round, 12 pins D9 - flat, 9 pins D15 - flat, 15 pins RS10 - round, 10 pins ONC - round, 10 pins	0 - without coupling 1 - with coupling
ORDER EXAMPLES:		1) AM36-H3-P6-6-05-R01/W-0 2) AM36-H4-B12-30V-A01/D9-1					