



AWE 110 Series Wire Encoders,

- Measurement length 300 mm to 1.250 mm
- 0,5 mm stainless steel wire diameter
- Small size
- High resolution
- 5 VDC or 10...30 VDC Power supply
- A, B, Z, /A, /B, /Z Encoder Signal Outputs (Push-Pull or Line Driver)
- High strength stainless steel wire
- 2 m/s maximum speed
- Wide working temperature range of -10 to +70 °C
- IP65 Protection class
- Shock/Vibration resistant
- 3 meters cable
- 2,4N Maximum extension force
- Aluminum anodized body

AWE 110 wire encoders are incremental wire transducers that turn a linear motion into coded digital pulses.

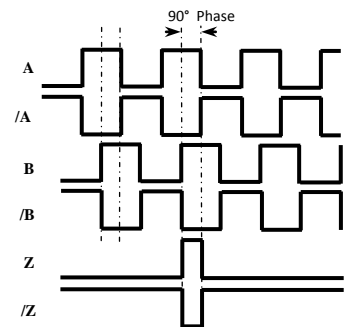
They are made of an incremental encoder, activated by the stroke of a, winding or unwinding, stainless steel wire. A special feature is their easy assembling. The linking together to a display or an electronic positioner supplies an excellent system to measure the dimensions on machine tools, automatic, wood, marble, glassworking machinery etc.

### TECHNICAL SPECIFICATIONS

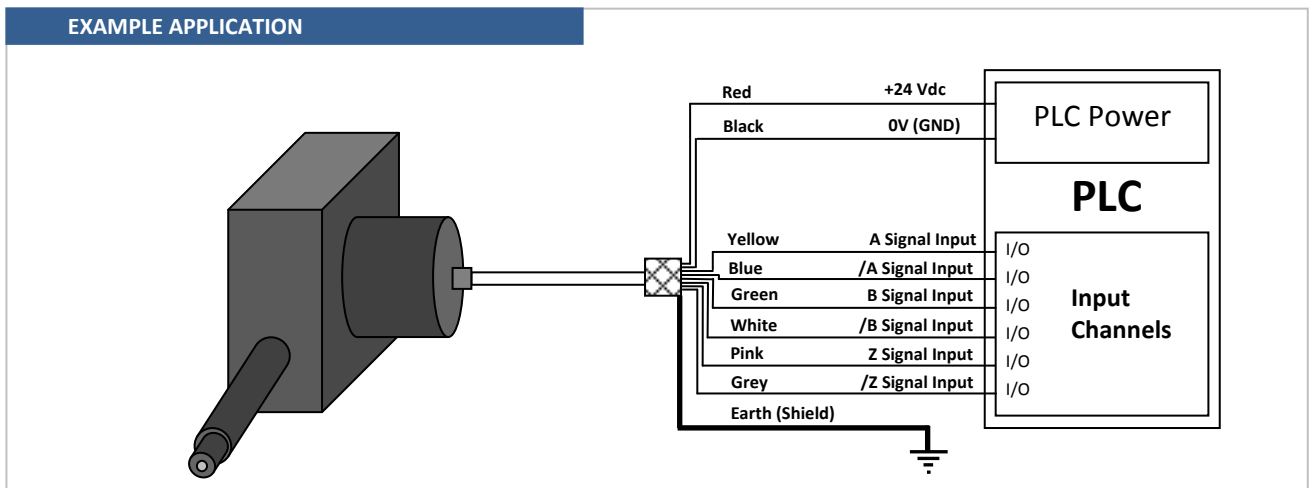
<b>Power Supply</b>	10...30VDC ±%20 , 5VDC ±%5 5...24VDC ±%20 , 5...30VDC ±%20
<b>Resolution</b>	0,1mm
<b>Stroke Length (mm)</b>	300, 500, 700, 1.000, 1.250
<b>Accuracy</b>	±0,2 mm/meter
<b>Maximum Speed</b>	2 m/s
<b>Output Signals</b>	AB , ABZ , AB/A/B , ABZ/A/B/Z
<b>Maximum Output Current</b>	Max. 60 mA per channel
<b>Protection Class</b>	IP65
<b>Working Temperature</b>	-10 to +70 °C
<b>Relative Humidity</b>	10 to 90%
<b>Weight</b>	450 grams
<b>Electric Connection</b>	3 meters (cable length) (optional other lengths)

PIN NO	SIGNAL	CABLE COLOR
1	A	YELLOW
2	/B	WHITE
3	+V	RED
4	0 V	BLACK
5	/A	BLUE
6	B	GREEN
7	/Z	GREY
8	Z	PINK
9	EARTH	SHIELD

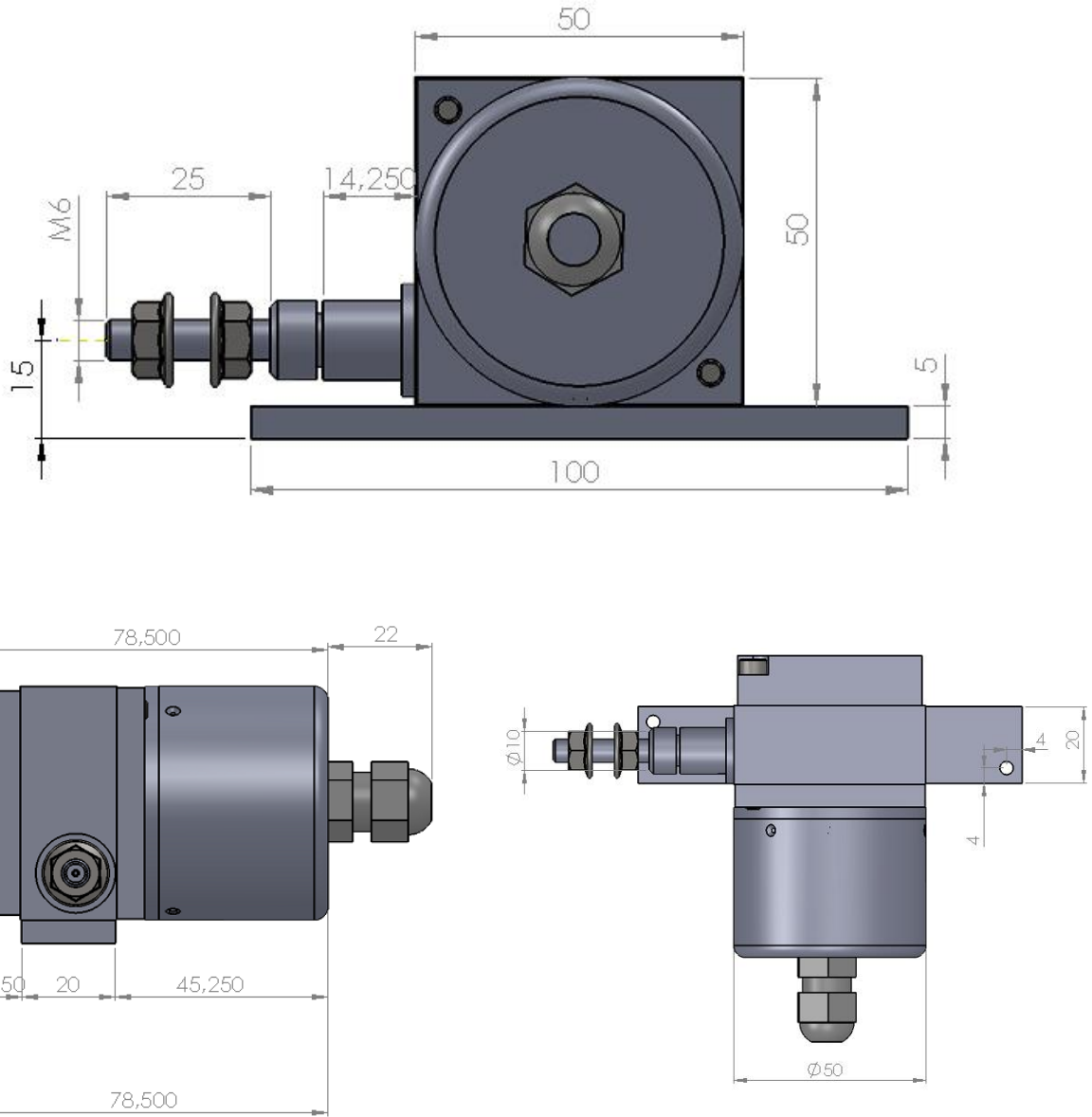
In the left tablet he cable colors of sensors output signals are given. If the control circuit is suitable in the Line Driver sensors of the not output signals (/A, /B, /Z) have to be added to the system. If it is not suitable /A, /B, /Z signal cables must be fixed as insulated separately. Don't forget that these edges have electricity too.



### EXAMPLE APPLICATION



**MECHANICAL DIMENSIONS**



**Order Code**

<b>Model</b>	<b>Wire Length*</b>										<b>Output Signals</b>						<b>Cable Direction</b>		
	300 : 300 mm 500 : 500 mm 700 : 700 mm 1000 : 1000 mm 1250 : 1250 mm * Please ask us for longer wire length										2 (A, B) 3 (A, B, Z) 4 (A, /A, B, /B) 6 (A, /A, B, /B, Z, /Z)						A : Backside Y : Sidewise S : Socket		
<b>AWE 110</b>	-	X	X	-	X	X	X	X	-	X	X	X	-	X	-	X	X	-	X
<b>Resolution</b>	01 : 0,1 mm (Standard)																		
<b>Power Supply and Output</b>	PP : 10...30 VDC Supply : 10...30VDC Output TTL : 5 VDC Supply : 5 VDC TTL RS422 Line Driver Output HTL : 10...30 VDC Supply : 5 VDC TTL RS422 Line Driver Output HPL : 5...24 VDC Supply : 5...24 VDC Push-Pull Output PTL : 5...30 VDC Supply : 5 VDC TTL RS422 Line Driver Output																		
<b>Cable Length</b>	3M : 3M (standard) 5M : 5M 10M : 10M *Optional up to 35 meters																		