



AWE Series Wire Encoders,

- Measurement length 1 meter to 6 meters
- High resolution options;
0,4 mm - 0,2 mm - 0,1 mm - 0,05 mm
- 5 VDC or 10...30 VDC Power supply
- A, B, Z, /A, /B, /Z Encoder Signal Outputs (Push-Pull or Line Driver)
- High strength stainless steel wire
- 0,5 m/s maximum speed
- Wide working temperature range of -10 to +70 °C
- IP65 Protection class
- Shock/Vibration resistant
- 3 meters cable
- 2,4N Maximum extension force
- Aluminum anodized body

AWE 210 wire encoders are incremental wire transducers that turn a linear motion into coded digital pulses.

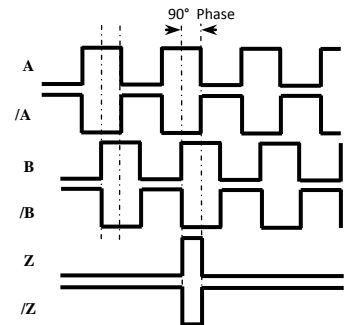
They are made of an incremental encoder, activated by the stroke of a, winding or unwinding, stainless steel wire. A special feature is their easy assembling. The linking together to a display or an electronic positioner supplies an excellent system to measure the dimensions on machine tools, automatic, wood, marble, glassworking machinery etc., with a resolution of $\pm 0,05\text{mm}$.

TECHNICAL SPECIFICATIONS

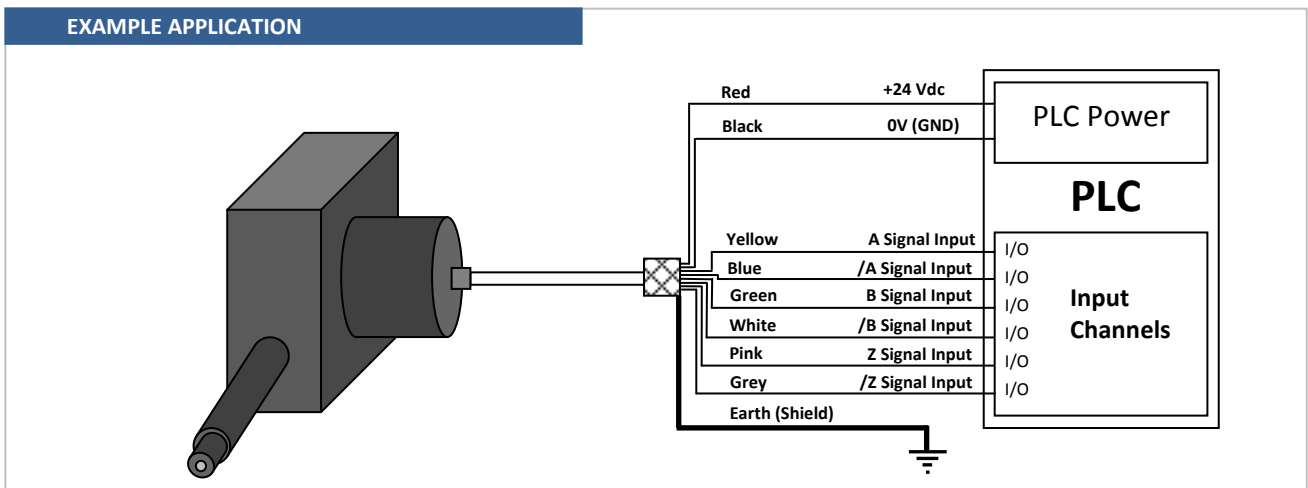
Power Supply	10...30VDC $\pm\%20$, 5VDC $\pm\%5$ 5...24VDC $\pm\%20$, 5...30VDC $\pm\%20$
Resolution	0,4mm, 0,2mm, 0,1mm, 0,05mm (Standard)
Maximum Stroke	6 meters
Accuracy	$\pm 0,3$
Maximum Speed	2 m/s
Output Signals	AB , ABZ , AB/A/B , ABZ/A/B/Z
Maximum Output Current	Max. 60 mA per channel
Protection Class	IP65
Working Temperature	- 10 to +70 °C
Relative Humidity	10 to 90%
Weight	1000 grams
Electric Connection	3 meters (cable length) (optional other lengths)

PIN NO	SIGNAL	CABLE COLOR
1	A	YELLOW
2	/B	WHITE
3	+V	RED
4	0 V	BLACK
5	/A	BLUE
6	B	GREEN
7	/Z	GREY
8	Z	PINK
9	EARTH	SHIELD

In the left tablet the cable colors of sensors output signals are given. If the control circuit is suitable in the Line Driver sensors of the not output signals (/A, /B, /Z) have to be added to the system. If it is not suitable /A, /B, /Z signal cables must be fixed as insulated separately. Don't forget that these edges have electricity too.

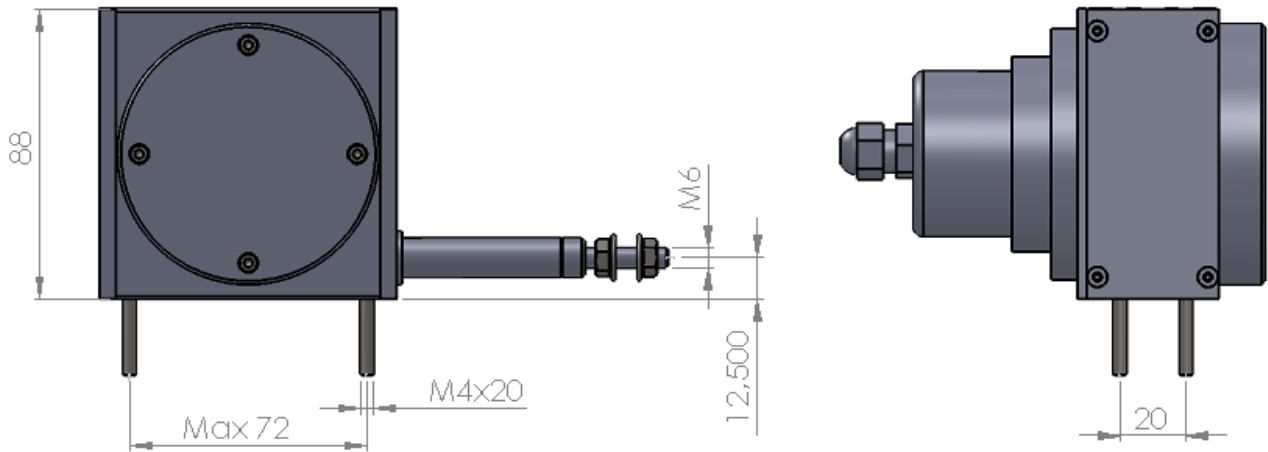


EXAMPLE APPLICATION

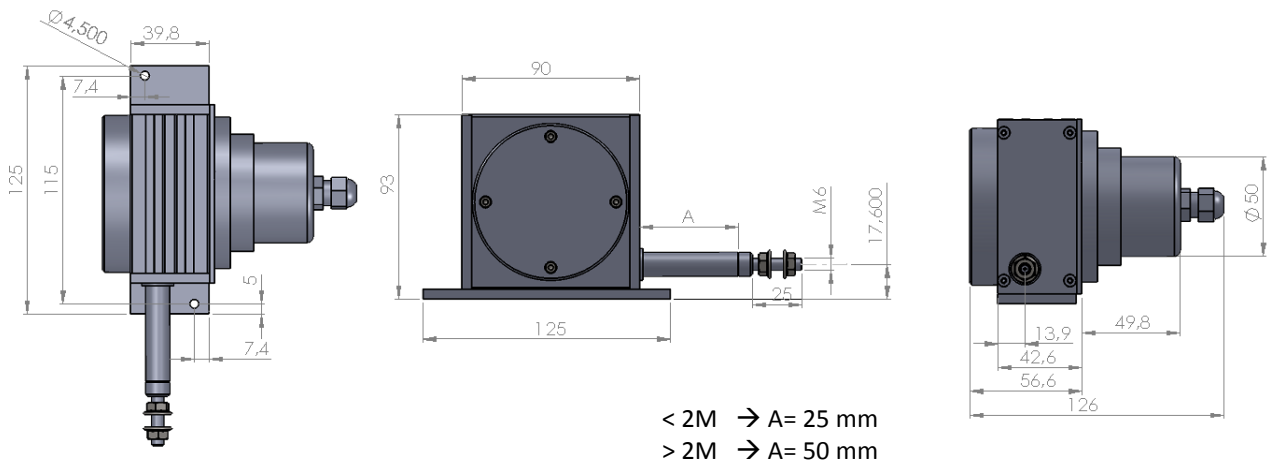


MECHANICAL DIMENSIONS

BOLTED



BOTTOM PLATED



Order Code

Model

Wire Length

- 1000 : 1000 mm
- 2000 : 2000 mm
- 3000 : 3000 mm
- 4000 : 4000 mm
- 5000 : 5000 mm
- 6000 : 6000 mm

* Please ask us for longer wire length

Output Signals

- 2 (A, B)
- 3 (A, B, Z)
- 4 (A, /A, B, /B)
- 6 (A, /A, B, /B, Z, /Z)

Cable

- Direction**
- A : Backside
 - Y : Sidewise
 - S : Socket

AWE 210	-	X	X	-	X	X	X	X	-	X	X	X	-	X	-	X	X	-	X
---------	---	---	---	---	---	---	---	---	---	---	---	---	---	---	---	---	---	---	---

Resolution

- 04 : 0,4 mm
- 02 : 0,2 mm
- 01 : 0,1 mm
- 005: 0,05mm (Standard)

Power Supply and Output

- PP : 10...30 VDC Supply
- : 10...30VDC Output
- TTL : 5 VDC Supply
- : 5 VDC TTL RS422 Line Driver Output
- HTL : 10...30 VDC Supply
- : 5 VDC TTL RS422 Line Driver Output
- HPL : 5...24 VDC Supply
- : 5...24 VDC Push-Pull Output
- PTL : 5...30 VDC Supply
- : 5 VDC TTL RS422 Line Driver Output

Cable Length

- 3M : 3M (standard)
 - 5M : 5M
 - 10M : 10M
 - S : Socket
- *Optional up to 35 meters