

## AWP 515

“Analog or CANopen Output,  
High Accuracy”

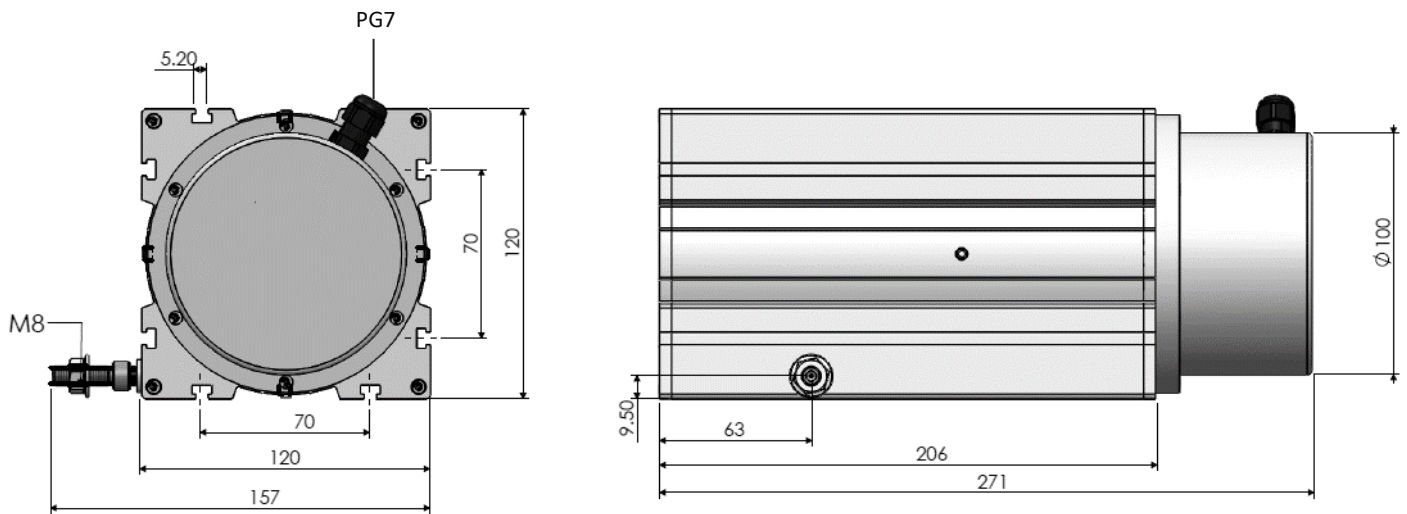


- Measuring length up to 15000 mm
- Magnetic absolute measurement technology
- Robust stainless steel measuring wire
- Aluminium housing
- Analog or CANopen output
- Programmable analog output option
- IP54 protection class (Optional IP67)
- Compact design and easy mounting
- 1 m/s maximum movement speed
- Shock/vibration resistant

## MECHANICAL DATA

<b>Measuring Range (stroke)</b>	Up to 15000 mm
<b>Max. Movement speed</b>	1 m/s
<b>Extension Force</b>	12N
<b>Protection Class</b>	IP54 (Optional IP67)
<b>Operating Temperature</b>	-40°C...+85°C
<b>Material</b>	Body: Aluminium
	Measuring wire: Stainless steel

## MECHANICAL DIMENSIONS (mm)



# TECHNICAL DATA

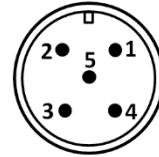
## ANALOG VERSION

### Electrical Specifications

Measuring range	Up to 15000 mm
Supply voltage	15...26 VDC
Current consumption	≤60 mA
Reverse polarity protection	Yes
Short circuit protection	Yes (only supply)
Response frequency	500 Hz
Resolution	0.05 mm
Linearity	±%0.3 FS
Output signal	Voltage: 0-10V, 0.5-4.5V, 0-5V Current: 4-20 mA
Signal characteristics	Increasing (exmp: 4-20 mA) Decreasing (exmp:20-4 mA)
Sensing device	Magnetic absolute encoder
Electrical connection	M12 connector or cable

### Electrical Connection

Signal	Cable	M12 / 5 pin male connector
V+ (15...26 VDC)	Red	Pin 1
Analog output signal	Yellow	Pin 2
GND	Black	Pin 3
N/C	Green	Pin 4
N/C	Pink	Pin 5



### Order Code

Model		Electrical Connection			Protection Class	
AWP 515 - XXXX - XXXX - XX - XXXX		<b>S13M:</b> M12/5 pin male connector <b>2M:</b> 2m cable *Optional others			<b>No code :</b> IP54 (std) <b>IP67 :</b> IP67	
<b>Measuring Range</b> Up to 15000 mm		<b>Analog Output Signal</b> <b>V</b> : 0-10 VDC <b>V1</b> : 0-5 VDC <b>A</b> : 4-20 mA <b>V3</b> : 0.5-4.5 VDC <b>NV</b> : 10-0 VDC <b>NV1</b> : 5-0 VDC <b>NA</b> : 20-4 mA <b>NV3</b> : 4.5-0.5 VDC				

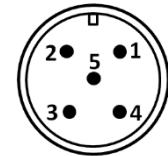
## ANALOG VERSION, PROGRAMMABLE

### Electrical Specifications

Measuring range	Up to 15000 mm
Supply voltage	15...26 VDC
Current consumption	≤60 mA
Reverse polarity protection	Yes
Short circuit protection	Yes (only supply)
Response frequency	500 Hz
Resolution	0.05 mm
Linearity	±%0.3 FS
Output signal	Voltage: 0-10V, 0.5-4.5V, 0-5V (programmable) Current: 4-20 mA (programmable)
Signal characteristics	Increasing (exmp: 4-20 mA) Decreasing (exmp:20-4 mA)
Sensing device	Magnetic absolute encoder
Electrical connection	M12 connector or cable

### Electrical Connection

Signal	Cable	M12 / 5 pin male connector
V+ (15...26 VDC)	Red	Pin 1
Analog output signal	Yellow	Pin 2
GND	Black	Pin 3
N/C	Green	Pin 4
SPAN/ZERO	Pink	Pin 5



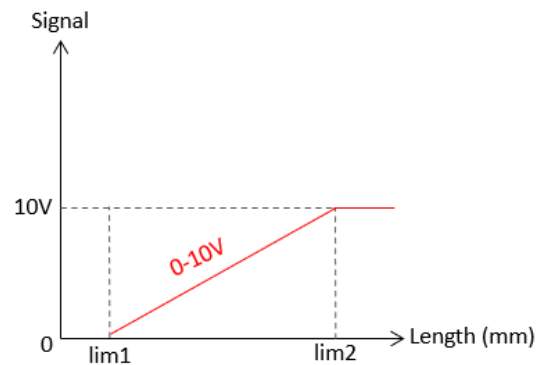
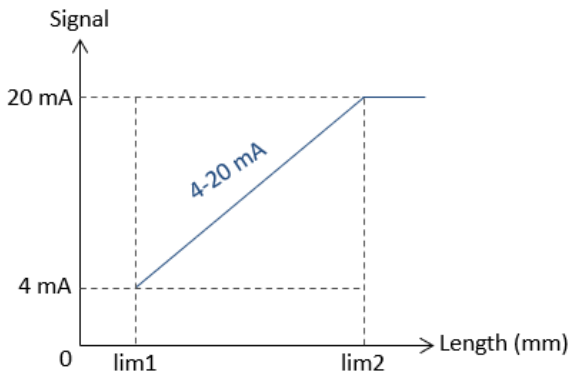
**SETTING MEASUREMENT LIMITS:** With this feature, you can set the minimum and maximum measurement limits.

In order to determine the **minimum measurement limit (lim1)**, the SPAN/ZERO and GND terminal are short-circuited for at least 3 seconds.

In order to determine the **maximum measurement limit (lim2)**, the SPAN/ZERO and GND terminal are short-circuited for at least 6 seconds.

To **return to the factory settings**, the SPAN/ZERO and GND terminal are short-circuited for at least 10 seconds.

### SAMPLE SIGNAL OUTPUT GRAPHICS



### Order Code

Model				Electrical Connection				Programming Feature			
AWP 515 - XXXX - XXXX - XX - XX - XXXX				S13M: M12/5 pin male connector 2M: 2m cable *Optional others				PL: Programmable			
Measuring Range				Analog Output Signal				Protection Class			
Up to 15000 mm				V : 0-10 VDC V1 : 0-5 VDC A : 4-20 mA V3 : 0.5-4.5 VDC NV : 10-0 VDC NV1 : 5-0 VDC NA : 20-4 mA NV3 : 4.5-0.5 VDC				No code : IP54 (std) IP67 : IP67			

## CANopen VERSION

### Electrical Specifications

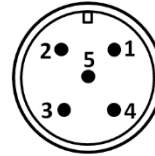
Measuring range	Up to 15000 mm
Supply voltage	12...30 VDC
Current consumption	≤60 mA
Reverse polarity protection	Yes
Short circuit protection	Yes (only supply)
Response frequency	500 Hz
Resolution	20 µm
Linearity	±%0.3 FS
Sensing device	Magnetic absolute encoder
Electrical connection	M12 connector or cable

### CANopen Specifications

Communication Profile	CiA 301
Device Type	CANopen, CiA DS406
Node ID	Adjustable from 1 to 127 with LSS or SDO
Baud Rate	10 kBit/s, 20 kBit/s, 50 kBit/s, 100 kBit/s, 125 kBit/s, 250 kBit/s, 500 kBit/s, 800 kBit/s, 1 Mbit/s
PDO Data Rate	100 ms
Error Control	Heartbeat, Emergency Message
PDO	3 Tx PDO
PDO Modes	Event/Time triggered, Synch/Asynch
SDO	1 server
Position Information	Object Dictionary 0x6020
Termination Resistance	Optional 120Ω

### Electrical Connection

Signal	Cable	M12 / 5 pin male connector
CAN SHIELD	CAN SHIELD	Pin 1
V+ (12...30VDC)	Red	Pin 2
GND	Black	Pin 3
CAN_H	Yellow	Pin 4
CAN_L	Green	Pin 5



### Order Code

Model	Electrical Connection	Protection Class
AWP 515	S13M: M12/5 pin male connector 2M: 2m cable *Optional others	No code : IP54 (std) IP67 : IP67
XXXX	XXXX	XXXX
Measuring Range Up to 15000 mm		Output Signal C : CANopen