

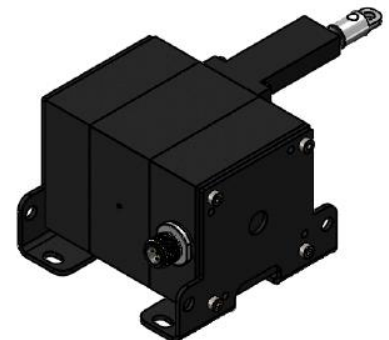
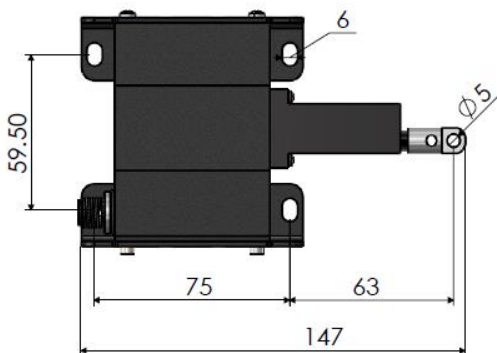
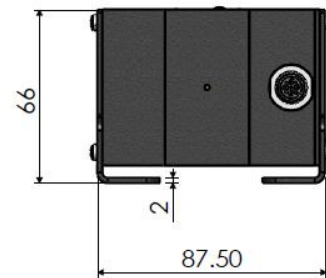
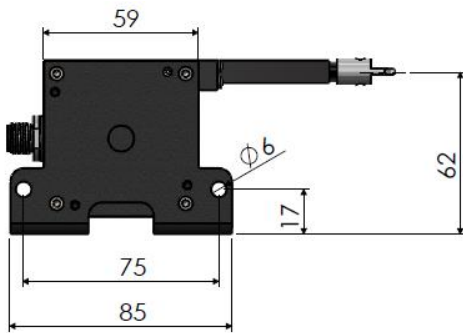


- 3000 mm measuring range
- Magnetic absolute measurement technology
- Robust stainless steel measuring wire
- Aluminium housing
- Analog or CANopen output
- Programmable analog output option
- IP67 protection class
- Compact design and easy mounting
- 1 m/s maximum movement speed
- Shock/vibration resistant

MECHANICAL DATA

Measuring Range (stroke)	Up to 3000 mm
Max. Movement speed	1 m/s
Protection Class	IP67
Operating Temperature	-40°C...+85°C
Material	Body: Aluminium
	Measuring wire: Stainless steel
Weight	~950 gr

MECHANICAL DIMENSIONS (mm)



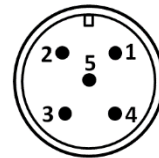
ANALOG VERSION

Electrical Specifications

Measuring range	Up to 3000 mm
Supply voltage	15...26 VDC
Current consumption	≤60 mA
Reverse polarity protection	Yes
Short circuit protection	Yes (only supply)
Response frequency	500 Hz
Resolution	0.05 mm
Linearity	±%0.3 FS
Output signal	Voltage: 0-10V, 0.5-4.5V, 0-5V Current: 4-20 mA
Signal characteristics	Increasing (exmp: 4-20 mA) Decreasing (exmp:20-4 mA)
Sensing device	Magnetic absolute encoder
Electrical connection	M12 connector or cable

Electrical Connection

Signal	Cable	M12 / 5 pin male connector
V+ (15...26 VDC)	Red	Pin 1
Analog output signal	Yellow	Pin 2
GND	Black	Pin 3
N/C	Green	Pin 4
N/C	Pink	Pin 5



Order Code

Electrical Connection

S13M: M12/5 pin male connector
2M: 2m cable
 *Optional others

Model

AWP 703	-	XXXX	-	XXXX	-	XX
---------	---	------	---	------	---	----

Measuring Range

Up to 3000 mm

Analog Output Signal

V : 0-10 VDC
V1 : 0-5 VDC
A : 4-20 mA
V3 : 0.5-4.5 VDC
NV : 10-0 VDC
NV1 : 5-0 VDC
NA : 20-4 mA
NV3 : 4.5-0.5 VDC

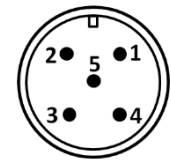
ANALOG VERSION, PROGRAMMABLE

Electrical Specifications

Measuring range	Up to 3000 mm
Supply voltage	15...26 VDC
Current consumption	≤60 mA
Reverse polarity protection	Yes
Short circuit protection	Yes (only supply)
Response frequency	500 Hz
Resolution	0.05 mm
Linearity	±%0.3 FS
Output signal	Voltage: 0-10V, 0.5-4.5V, 0-5V (programmable) Current: 4-20 mA (programmable)
Signal characteristics	Increasing (exmp: 4-20 mA) Decreasing (exmp:20-4 mA)
Sensing device	Magnetic absolute encoder
Electrical connection	M12 connector or cable

Electrical Connection

Signal	Cable	M12 / 5 pin male connector
V+ (15...26 VDC)	Red	Pin 1
Analog output signal	Yellow	Pin 2
GND	Black	Pin 3
N/C	Green	Pin 4
SPAN/ZERO	Pink	Pin 5



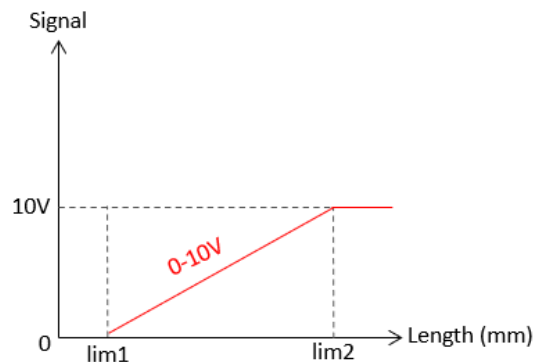
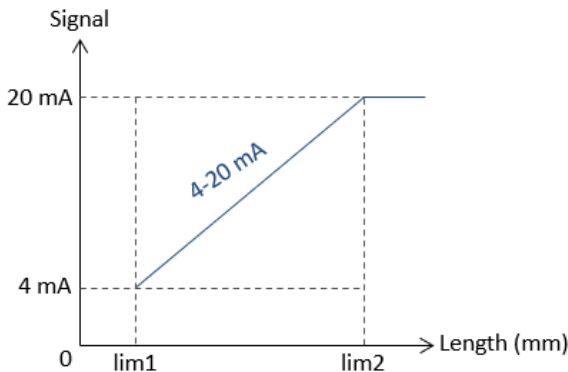
SETTING MEASUREMENT LIMITS: With this feature, you can set the minimum and maximum measurement limits.

In order to determine the **minimum measurement limit (lim1)**, the SPAN/ZERO and GND terminal are short-circuited for at least 3 seconds.

In order to determine the **maximum measurement limit (lim2)**, the SPAN/ZERO and GND terminal are short-circuited for at least 6 seconds.

To **return to the factory settings**, the SPAN/ZERO and GND terminal are short-circuited for at least 10 seconds.

SAMPLE SIGNAL OUTPUT GRAPHICS



Order Code

Model	Electrical Connection	Programming Feature
AWP 703 - XXXX - XXXX - XX - XX	S13M: M12/5 pin male connector 2M: 2m cable *Optional others	PL: Programmable

Measuring Range

Up to 3000 mm

Analog Output Signal

V : 0-10 VDC
V1 : 0-5 VDC
A : 4-20 mA
V3 : 0.5-4.5 VDC
NV : 10-0 VDC
NV1 : 5-0 VDC
NA : 20-4 mA
NV3 : 4.5-0.5 VDC

CANopen VERSION

Electrical Specifications

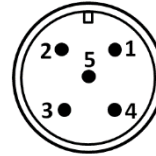
Measuring range	Up to 3000 mm
Supply voltage	12...30 VDC
Current consumption	≤60 mA
Reverse polarity protection	Yes
Short circuit protection	Yes (only supply)
Response frequency	500 Hz
Resolution	10 µm
Linearity	±%0.3 FS
Sensing device	Magnetic absolute encoder
Electrical connection	M12 connector or cable

CANopen Specifications

Communication Profile	CiA 301
Device Type	CANopen, CiA DS406
Node ID	Adjustable from 1 to 127 with LSS or SDO
Baud Rate	10 kBit/s, 20 kBit/s, 50 kBit/s, 100 kBit/s, 125 kBit/s, 250 kBit/s, 500 kBit/s, 800 kBit/s, 1 Mbit/s
PDO Data Rate	100 ms
Error Control	Heartbeat, Emergency Message
PDO	3 Tx PDO
PDO Modes	Event/Time triggered, Synch/Asynch
SDO	1 server
Position Information	Object Dictionary 0x6020
Termination Resistance	Optional 120Ω

Electrical Connection

Signal	Cable	M12 / 5 pin male connector
CAN SHIELD	CAN SHIELD	Pin 1
V+ (12...30VDC)	Red	Pin 2
GND	Black	Pin 3
CAN_H	Yellow	Pin 4
CAN_L	Green	Pin 5



Order Code

Model		Electrical Connection				
AWP 703	-	XXXX	-	XXXX	-	X
Measuring Range				Output Signal		
Up to 3000 mm				C : CANopen		


Electrical Connection


S13M: M12/5 pin male connector


2M: 2m cable

*Optional others

Atek Elektronik Sensör Teknolojileri Sanayi ve Ticaret A.Ş.

 Gebze OSB, 800. Sokak, No:814 Gebze/KOCAELİ/TURKEY

 Tel: +90 262 673 76 00

 Tel: +90 262 673 76 08