



- Twin bearing actuating rod
- Square body ( rod diameter 6mm )
- 0-10 VDC Analog output and other models
- Mountable over backlash free pivots heads with a large angle of free movement
- Maximum angular movement up to  $\pm 30^\circ$
- Potentiometric measuring stroke up to 1000 mm
- Absolute measurement of displacement
- Resolution 0,01mm
- Very long life up to 100 million movements
- High operating speed 5 m/s
- Excellent linearity %0,3

LTC-V is built easy mounting by double pivot heads. The only difference from the LTP series is the square frame body. It's a high precision 0-10 VDC analog output industrial linear motion transducer with a long lasting conductive track suitable for absolute position measuring in control and Measurement applications. Designed for the direct, absolute measurement of displacement or angle in control regulation and measuring applications.

Mechanical fixing and self-aligning linkage using 2 ball joints. Maximum angular movement angle is up to  $\pm 30^\circ$

High resolution (0.01 mm) combined with a stroke length of up to 1000 mm permits the accurate measurement of linear displacement.

### Technical Specifications

<b>Defined Electrical Ranges</b>	50 - 75 - 100 - 125 - 150 - 175 - 200 - 225 - 250 - 275 - 300 - 325 - 350 - 360 - 375 - 400 - 450 - 500 - 550 - 600 - 650 - 700 - 750 - 800 - 900 - 1000
<b>Output Signals</b>	0-10 VDC Analog Output ( other models optional )
<b>Independent Linearity</b>	$\pm 0,3$
<b>Electrical Connection</b>	4 pin female socket
<b>Power Supply</b>	24 VDC
<b>Resistance</b>	5K or 10Kohm and other ( $\pm 20$ tolerance )
<b>Temperature Range</b>	-30°C +100°C
<b>Life</b>	100 million movements
<b>Mechanical Fixing</b>	With 2 ball-joints or adjustable distance clamps
<b>Rod Material</b>	Stainless steel
<b>Housing Material</b>	Anodized aluminium

### LTC-V Series 0-10 VDC Analog Output Linear Transducers are mainly used in :

- Press Brake Machines
- Marble Machines
- Tension Control
- Horizontal Band Saw Machines
- Transfer Machines
- Hydraulic Machines
- Sheet Metal Working Machines
- Bending Presses
- Textile Machines

### Order Code

#### Model No

L T C - 5 0 0 - V

#### Defined Stroke Range

Several standard lengths from 50 mm to 1000 mm

#### Output

V : 0-10 VDC Analog Voltage Output

\*\*Optional 0-5 VDC Voltage Output

#### Included in Delivery

1 Connector / 4 pin female socket

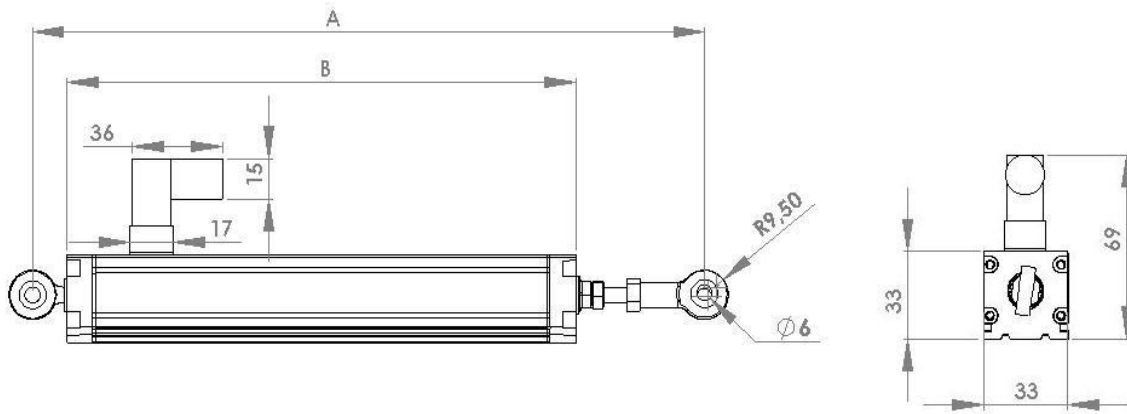
\*\*Optional fixing clamps

#### Recommended Accessories

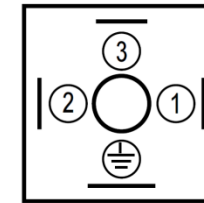
Process-controlled indicators "ALP Series"



## Dimension



## Connections



### 0-10VDC ANALOG OUTPUT

1. +24 VDC Supply
2. Analog Output  
0-10 VDC Voltage Output
3. GROUND
4. SHIELD

TYPE	LTC 50	LTC 75	LTC 100	LTC 125	LTC 150	LTC 175	LTC 200	LTC 225	LTC 250	LTC 275	LTC 300	LTC 325	LTC 350	LTC 360	LTC 375	LTC 400	LTC 450	LTC 500	LTC 550	LTC 600	LTC 650	LTC 700	LTC 750	LTC 800	LTC 900	LTC 1000	
<b>STROKE</b>	50	75	100	125	150	175	200	225	250	275	300	325	350	360	375	400	450	500	550	600	650	700	750	800	900	1000	
<b>MECHANICAL STROKE (mm)</b>	54	79	104	129	154	179	204	229	254	279	304	329	354	364	379	404	454	504	554	604	654	704	754	804	904	1004	
<b>ELECTRICAL STROKE (mm)</b>	50	75	100	125	150	175	200	225	250	275	300	325	350	360	375	400	450	500	550	600	650	700	750	800	900	1000	
<b>MECHANICAL DIMENSIONS</b>																											
<b>BETWEEN PIVOT HEADS (A) (mm) ±2 mm</b>	220	245	270	295	320	345	370	395	420	445	470	495	520	530	545	570	620	670	720	770	820	870	920	970	1070	1170	
<b>BODY LENGTH (B) (mm) ±2 mm</b>	150	175	200	225	250	275	300	325	350	375	400	425	450	460	475	500	550	600	650	700	750	800	850	900	1000	1100	

## ATEK SENSOR TECHNOLOGY AS



Tuzla KOSB Organize Sanayi Bolgesi, Melek Aras Bulvari No:67 TR-34956 Tuzla - Istanbul - TURKEY  
 Tel : +90 216 399 44 04 pbx Fax : +90 216 399 44 02  
 Web: [www.ateksensor.com](http://www.ateksensor.com) e-mail: [info@ateksensor.com](mailto:info@ateksensor.com)