

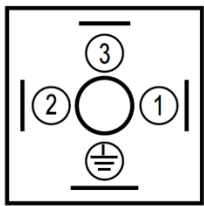


- Spring System
- Potentiometric Measuring
- Between 10 mm to 150 mm Electrical Ranges
- High Resolution
- Very Long Life Up To 100 Million Movements
- High Operating Speed 5 m/s
- Small Sizes

LTR series is the industry proven system on both actuator shaft and spring.

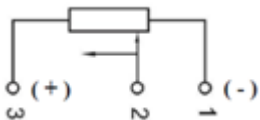
LTR is a high precision potentiometric industrial linear motion transducer with a long lasting conductive track suitable for absolute position measuring in control measurement applications.

Connection



POTENTIOMETRIC OUTPUT

1. Resistance / +Supply
2. Output
3. Resistance / -Supply
4. SHIELD

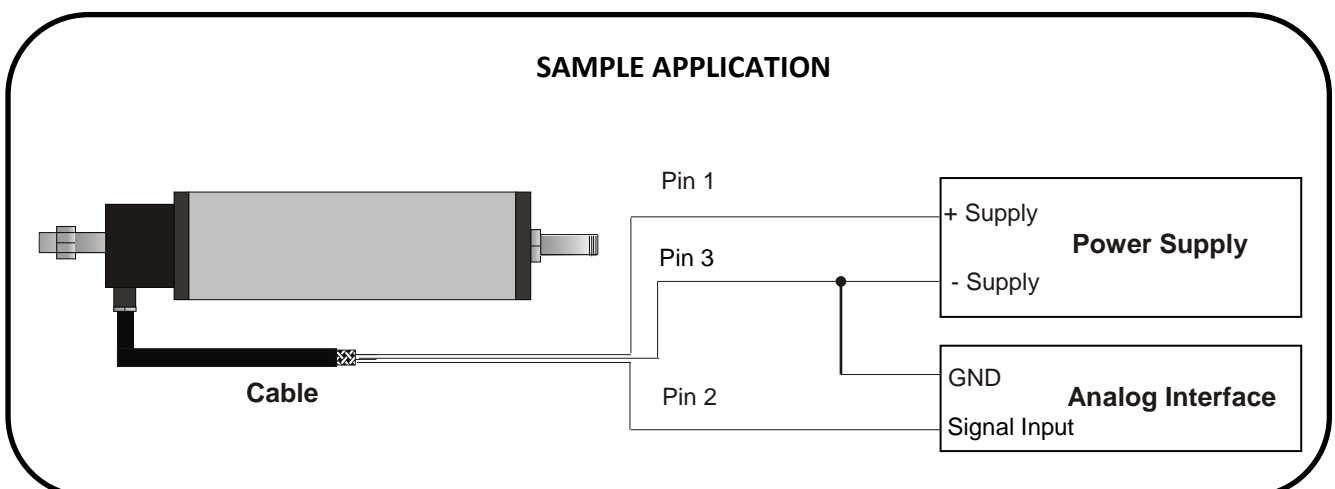


Potentiometric Connection
(Voltage Divider)

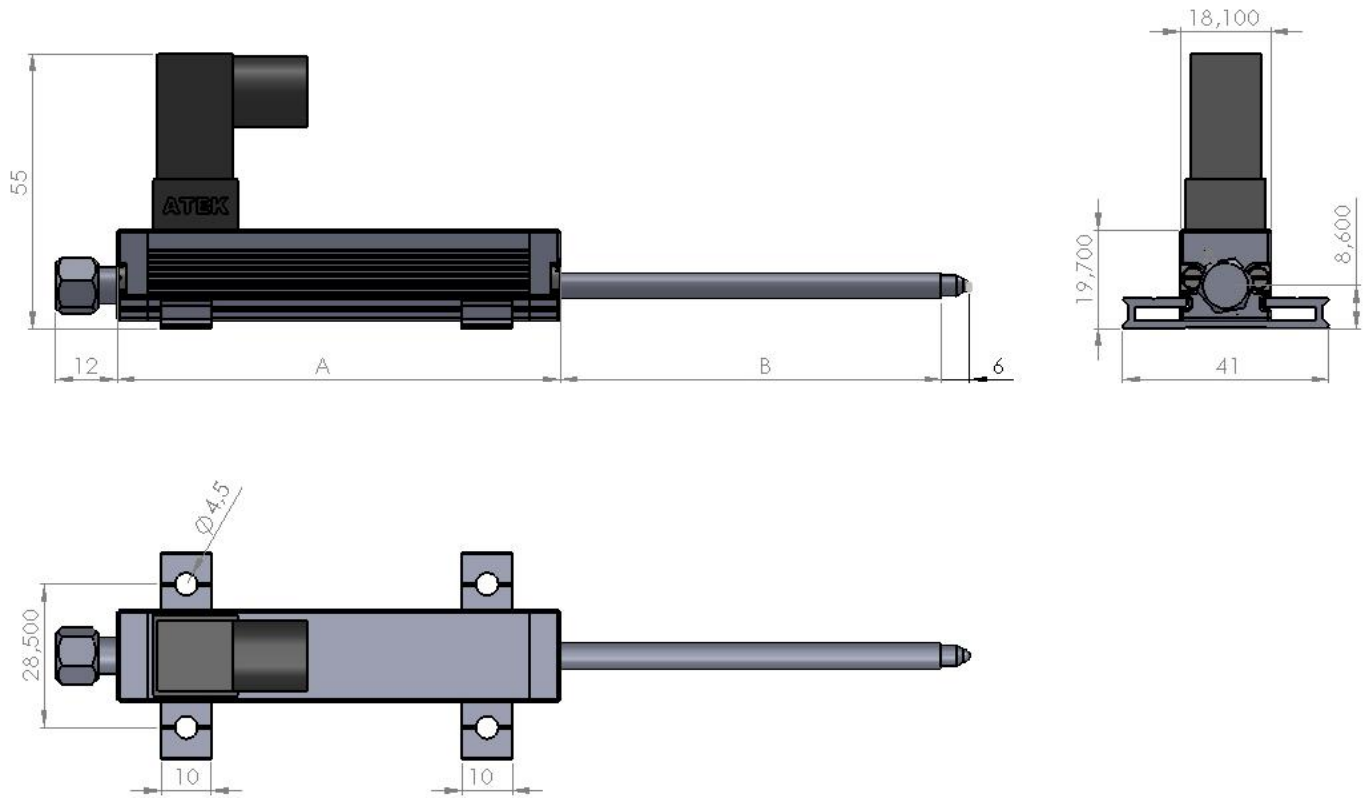
Technical Specifications

Defined Electrical Ranges (mm)	10 – 25 – 50 – 75 – 100 - 150
Resistance Element	Conductive Plastic
Output Signals	Potentiometric
Independent Linearity	± %0,6
Electrical Connection	4 pin female DIN43650
Power Supply	Maximum 42 VDC
Resistance	5K – 10 K ±%20 (Optional Other)
Operating Temperature	-30°C +100°C
Life	100 Million Movements
Rod Material	Stainless Steel
Housing Material	Anodized Aluminum

SAMPLE APPLICATION



Mechanical Dimensions



Strokes (mm)	10	25	50	75	100	150
A	48	63	95	135	167	227
B	16	57	82	107	132	182
Electrical Stroke	10	25	50	75	100	150
Mechanical Stroke	12	27	52	77	102	152

Order Code

Model No

L T R - 1 0 0

Defined Stroke Range

Several Standard Lengths From 10 mm to 150 mm



Atek Sensor Technology A.S.

Tuzla KOSB Organize Sanayi Bolgesi Melek Aras Bulvari, No:67 34956 Tuzla - Istanbul / TURKEY

Tel: +90 216 399 44 04

Fax: +90 216 399 44 02

www.ateksensor.com

info@ateksensor.com

