



- Incremental Encoder Output A, B, Z, / A, / B, / Z
- Portable Reference Point
- Stroke Values up to 2000 mm
- Socket Building
- Perfect Retention System
- High Stability
- IP65 Protection Class
- Easy Installation
- Same Ruler Available Right or Left
- Compatible with Delem, Cybelec, ESA and STEP

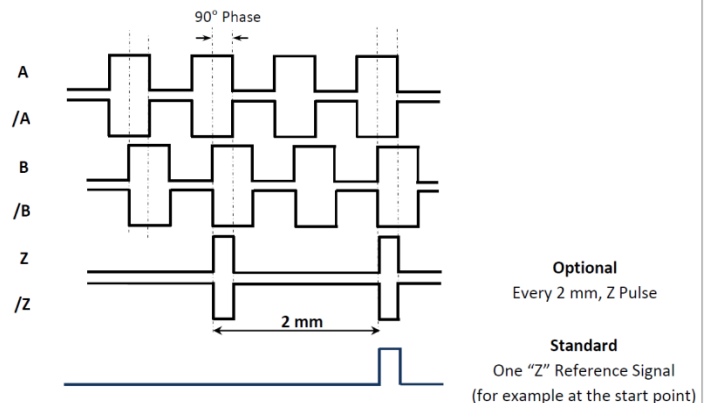
For measurements up to 2000 mm, it can be used to achieve the best performance in high speed and vibrating environments. Mounting points and designs reduce the most mistakes that can occur due to temperature changes. Special measures have been taken against the vibrations caused by the machine on the other side. Thanks to its ergonomic design, the cable output does not interfere with the ruler and works in perfect stability. The direction of the ruler can be easily changed by the user.

Technical Specification

Resolution	5µm, 10µm, 25µm, 50 µm
Output Type	Push-Pull or TTL RS422 Line Driver
Output Signals	A, /A, B, /B, Z, /Z
Input Current	40 mA/channel max.
Output Current	40 mA/channel max.
Power Supply	PPL:10..30 VDC or TTL:5 VDC
Body Material	Aluminum
Magnetic Tape	B2
Operating Speed	3 m/s
Repeatability	± 1 Pulse
Operating Temperature	-25 ile +85°
Electrical Connection	5 or 8 x 0,14 mm ² D-Sub 9 Pin compatible with Delem, Cybelec, ESA
Protection Class	IP65

Electrical Connection

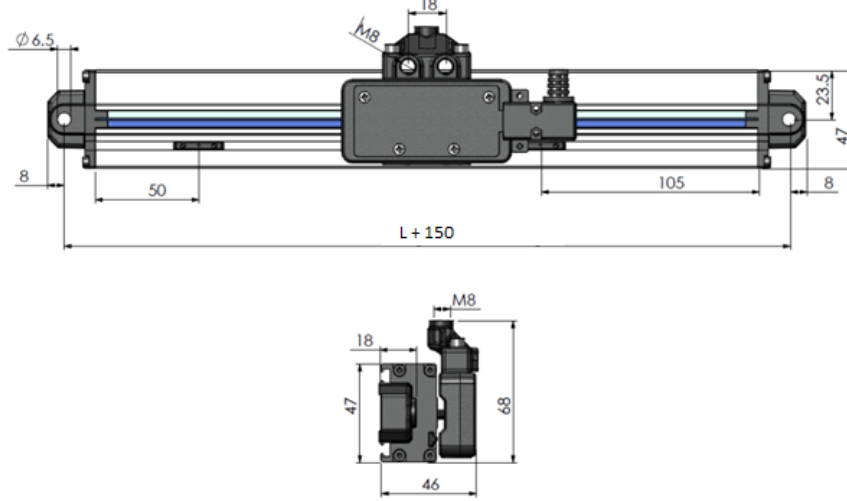
SIGNAL	CABLE COLOR	D-SUB 9 PIN / SOCKET PIN NO
A	Yellow	1
/B	White	2
+V	Red	3
0V	Black	4
/A	Blue	5
B	Green	6
/Z	Grey	7
Z	Pink	8
-	Shield	9



Standard Stroke Lengths (L) (mm)

100	120	150	170	200	220	250	270	300	320
350	370	400	420	450	470	500	520	550	570
600	650	700	750	800	850	900	950	1000	1100
1200	1300	1400	1500	1600	1700	1800	2000		

Mechanical Dimensions



Cable Length

- 3M : 3 meters
- 3.5M : 3,5 meters
- 4M : 4 meters
- 5M : 5 meters
- 6M : 6 meters
- 7M : 7 meters
- 8M : 8 meters
- 9M : 9 meters
- 10M : 10 meters
- 15M : 15 meters
- * Please ask for other options

Power Supply and Output

- TTL : 5VDC Supply Voltage, 5 VDC TTL RS422 Line Driver Signal Output
- PP : 10...30 VDC Supply Voltage, 10...30 VDC Push-Pull Signal Output
- HTL : 10...30 VDC Supply Voltage, 5 VDC TTL RS422 Line Driver Signal Output
- HPL : 5...30 VDC Supply Voltage, 5...30 VDC Push-Pull Signal Output

Measuring Stroke

See standard stroke lengths table, contact for other stroke lengths.

Magnetic Tape

B2

MLC420	-	X	X	-	X	X	-	X	X	X	-	X	-	X	X	-	X	-	X	X	X	mm	-	X
--------	---	---	---	---	---	---	---	---	---	---	---	---	---	---	---	---	---	---	---	---	---	----	---	---

Model

Resolution

- 05 : 5µm
- 10 : 10µm
- 25 : 25µm
- 50 : 50µm

Signal Output Type

- 2 : A, B
- 3 : A, B, Z
- 4 : A, /A, B, /B
- 6 : A, /A, B, /B, Z, /Z

Standard, single Z reference signal
Optional, Z signal at every 2 mm

Sensor/Cable Type

C : PUR Cable

LEFT / RIGHT

L : Left
R : Right

Atek Elektronik Sensör Teknolojileri Sanayi ve Ticaret A.Ş.



Gebze OSB, 800. Sokak, No:814 Gebze/KOCAELİ/TURKEY
 Tel: +90 262 673 76 00 Fax: +90 262 673 76 08
www.ateksensor.com info@ateksensor.com