



- Big Size
- Easy Mounting
- High Resolution Up to 0,005 mm Resolution
- High Accuracy
- Spiral or Cable Option
- Measuring Lengths Up to 100 m
- Resistant to Humidity
- Sturdy Metal Case
- Protection Class IP67

MLS210 reader sensors can be used with all magnetic tape and profile systems but we suggest you with PS1 profile system or PS3 profile system for the best harmony. The reader sensor glides contactless over the profile with gap up to 0,1 – 2 mm. MLS210 reader sensor both slide / slideless models and spiral / pure cable models are available.

### Applications:

- Machining Centers
- PVC Cutting Machines
- Wood Cutting Machines
- Lathes, Milling, Drilling, Grinding Machines
- Sheet Metal Working Machines
- Marble Machines
- Welding Machines
- Bending Machines
- Electrical Discharge Machines
- Robotics / Material Handling
- Glass Working Machinery etc...

### Technical Specifications

<b>Resolution</b>	5µm, 10µm, 25µm, 50µm, 62.5µm, 80µm, 100µm (or on request)
<b>Output Signal Type</b>	Push-Pull or TTL RS422 Line Driver
<b>Output Signals</b>	A, /A, B, /B, Z, /Z
<b>Current</b>	Maximum 40 mA per Channel
<b>Power Supply</b>	10..30 VDC or 5 VDC
<b>Housing Material</b>	Aluminum
<b>Gap Between Tape and Sensor</b>	0,1 mm to 2 mm
<b>Travel Velocity</b>	3 m/s
<b>Repeatability</b>	± 1 Pulse
<b>Operating Temperature Range</b>	-25 to +85°
<b>Protection Class</b>	IP67

### Order Specifications

#### Magnetic Tape

B5  
B2  
B1

#### Power Supply and Output

**TTL** : 5VDC ± %5 Power Supply,  
5 VDC TTL RS422 Line Driver Output  
**PP** : 24 VDC ± %20 Power Supply,  
24 VDC Push-Pull Output  
**HTL** : 24 VDC ± %20 Power Supply,  
5 VDC TTL RS422 Line Driver Output

#### Cable Length

**3M** : 3 Meters  
**5M** : 5 Meters  
**8M** : 8 Meters  
**10M**: 10 Meters  
\* Optional between 3 to 20 Meters

MLS120 - X X - X X - X X X - X - X X - X X - X X X

#### Model

#### Resolution

01 : 1µm | 05 : 5µm  
10 : 10µm | 25 : 25µm  
62 : 62,5µm | 80 : 80µm  
100: 100µm

#### Signal Output Type

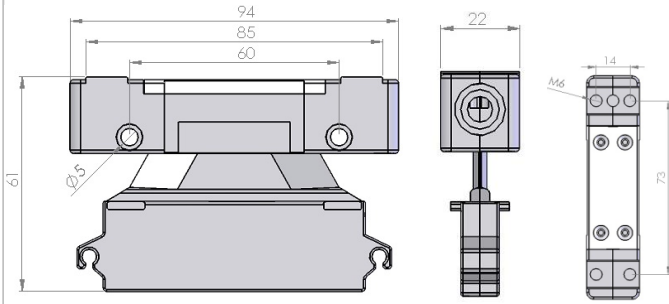
2 : A, B | 3 : A, B, Z  
4 : A, /A, B, /B | 6 : A, /A, B, /B, Z, /Z  
Optional: One Reference Z Signal

#### Cable Type

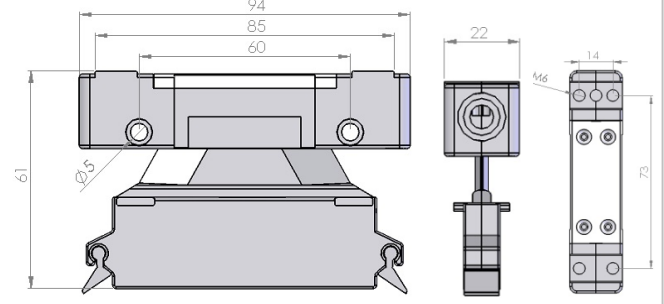
C : Pure Cable  
S : Shielded Spiral  
CSL : Cable and with Slider  
SSL : Spiral and with Slider



## Mechanical Dimension

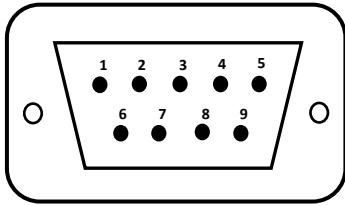


No Slider



With Slider

## Pin Connections



Pin Number	Cable Colour	Signal
1	Yellow	A
2	White	/B
3	Red	POWER SUPPLY
4	Black	0 V
5	Blue	/A
6	Green	B
7	Grey	/Z
8	Pink	Z
9	Shield	GROUND

## Suggesting Profile Systems That Can Be Used With MLS 210 Reader Sensor:

- PS1 Profile System
- PS3 Profile System

